

Carey Road @ Ravine Way

Tuesday, April 02, 2019



The data presented here is for information purposes only and should not be considered authoritative for construction, geotechnical, engineering, navigational, legal, or other site-specific uses. The information shared is owned by the Transportation Division of the Engineering Department at the District of Saanich. Accuracy is not guaranteed.

Major Route: Carey Road
Minor Route: Ravine Way
Municipality: Saanich
Filename: Carey Rd @ Ravine Way-Apr 2, 2019.xlsx
Location #: TIN001140
Count ID: 2019008
Date: April 2, 2019
Day-of-week: Tuesday

East/West Route: Ravine Way
Intersection Type: 3-leg east approach
Signalized?: Yes
Weather: Overcast and dry

Vehicle Classifications: Vehicles and Peds
 Bikes

This data is for Vehicles and Peds

Shift	Start	End	Duration
AM	7:30	9:30	2.00
MD			
PM	15:30	18:30	3.00
Total	7:30	18:30	5.00

Notes: 24-hour clock used for reporting (15-minute increments)
 North Approach - southbound vehicles approaching intersection from the north
 15x4 - 15 min volume (from maximum 15 minute period of movement/approach in peak hour period [*]) x 4
 Pedestrians - N indicates pedestrians crossing north approach (east/west)

Comments:

Time Period Begins	Carey Rd				Carey Rd				WEST Approach				Ravine Way				Total Volume		Ped C	Crosswalks			
	NORTH Approach				SOUTH Approach								EAST Approach				15-min	Hour		N	S	W	E
7:30	85	51		136	18	17	35					18	26	44	215			0	15		3		
7:45	70	55		125	27	24	51					20	32	52	228			0	16		9		
8:00	82	46		128	25	26	51					22	45	67	246		*	0	25		4		
8:15	89	65		154	35	24	59					26	33	59	272	961	+	0	10		3		
8:30	89	58		147	32	15	47					20	28	48	242	988	*	0	14		3		
8:45	78	55		133	30	22	52					32	46	78	263	1023	*	0	18		1		
9:00	70	52		122	14	27	41					23	29	52	215	992		0	12		0		
9:15	56	51		107	32	28	60					33	33	66	233	953		0	31		4		
n/a																							
n/a																							
n/a																							
n/a																							
n/a																							
n/a																							
n/a																							
n/a																							
n/a																							
n/a																							
n/a																							
Total	619	433		1052	213	183	396					194	272	466	1914			0	141		27		

n/a																					
n/a																					
n/a																					
n/a																					
n/a																					
n/a																					
n/a																					
n/a																					
n/a																					
n/a																					
n/a																					
n/a																					
n/a																					
n/a																					
n/a																					
n/a																					
Total																					

15:30	64	31		95	87	52	139					24	101	125	359			0	13		8
15:45	40	27		67	74	53	127					23	112	135	329			0	23		6
16:00	55	35		90	88	69	157					31	118	149	396			0	21		5
16:15	57	31		88	88	61	149					21	125	146	383	1467		0	21		3
16:30	54	46		100	105	63	168					18	130	148	416	1524	+	0	25		2
16:45	61	42		103	93	75	168					23	104	127	398	1593	*	0	32		12
17:00	59	32		91	67	73	140					28	130	158	389	1586	*	0	21		8
17:15	56	40		96	102	81	183					21	112	133	412	1615	*	0	21		4
17:30	52	37		89	99	54	153					15	108	123	365	1564		0	16		3
17:45	42	31		73	84	75	159					26	93	119	351	1517		0	17		5
18:00	42	34		76	57	53	110					19	52	71	257	1385		0	13		9
18:15	35	32		67	64	41	105					25	56	81	253	1226		0	10		4
n/a																					
n/a																					
n/a																					
n/a																					
n/a																					
n/a																					
n/a																					
n/a																					
n/a																					
n/a																					
Total	617	418		1035	1008	750	1758					274	1241	1515	4308			0	233		69

Time Period Begins	Carey Rd NORTH Approach				Carey Rd SOUTH Approach				WEST Approach				Ravine Way EAST Approach				Total Volume		Pedestrians	Crosswalks				Conflict	
	Left	Thru	Right	Total	Left	Thru	Right	Total	Left	Thru	Right	Total	Left	Thru	Right	Total	15-min	Hour		N	S	W	E	15 min	Hr
	7:30	85	51		136		18	17	35					18		26	44	215			0	15		3	146
7:45	70	55		125		27	24	51					20		32	52	228		0	16		9	153		
8:00	82	46		128		25	26	51					22		45	67	246	*	0	25		4	178		
8:15	89	65		154		35	24	59					26		33	59	272	961	+	0	10		3	181	658
8:30	89	58		147		32	15	47					20		28	48	242	988	*	0	14		3	164	676
8:45	78	55		133		30	22	52					32		46	78	263	1023	*	0	18		1	176	699
9:00	70	52		122		14	27	41					23		29	52	215	992		0	12		0	140	661
9:15	56	51		107		32	28	60					33		33	66	233	953		0	31		4	149	629
n/a																									
n/a																									
n/a																									
n/a																									
n/a																									
n/a																									
n/a																									
n/a																									
n/a																									
n/a																									
n/a																									
n/a																									
n/a																									
n/a																									
n/a																									
n/a																									
n/a																									
n/a																									

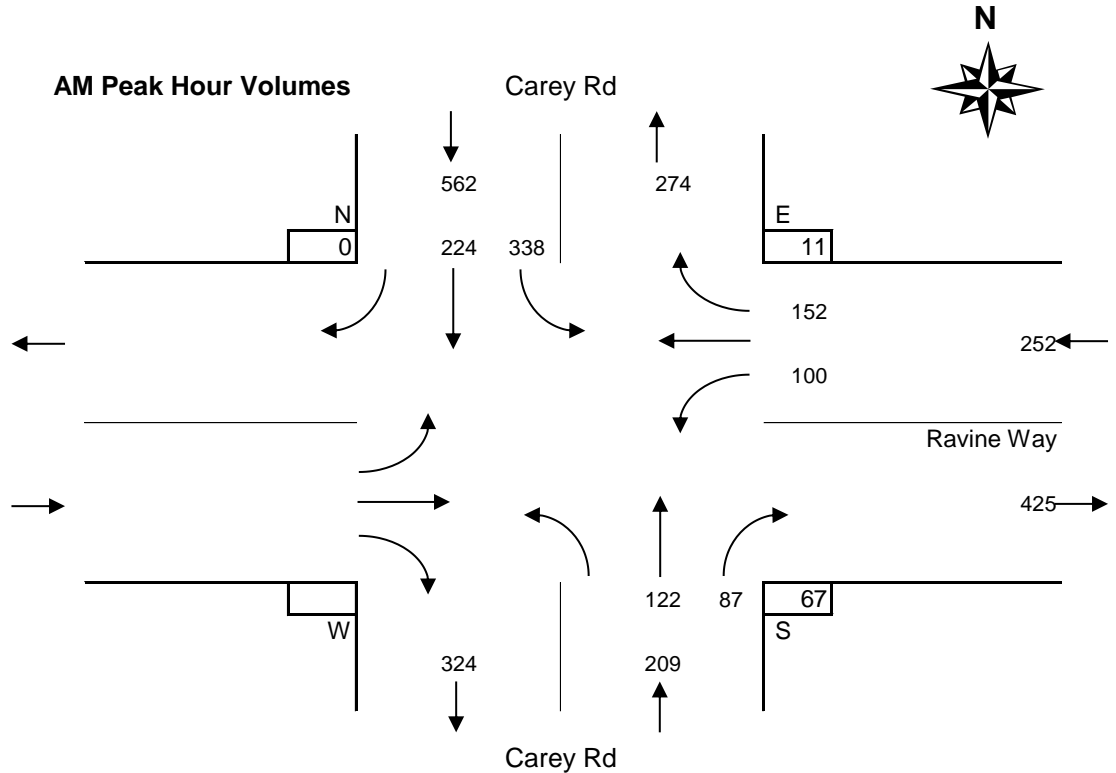
Total	619	433		1052		213	183	396					194		272	466	1914			0	141		27		1287
Avg Hr	310	217		526		107	92	198					97		136	233	957			0	71		14		

Peak hour of the intersection

Pk Hr	338	224		562		122	87	209					100		152	252	1023	*		0	67		11		699
15x4	356	260		616		140	104	236					128		184	312	1088	+		0	100		16		784
PHF	0.95	0.86		0.91		0.87	0.84	0.89					0.78		0.83	0.81	0.94			n/a	0.67		0.69		0.89

Peak hour of conflicting volumes for the intersection

Pk Hr	338	224		562		122	87	209					100		152	252	1023	*		0	67		11		699
15x4	356	260		616		140	104	236					128		184	312	1088	+		0	100		16		784
PHF	0.95	0.86		0.91		0.87	0.84	0.89					0.78		0.83	0.81	0.94			n/a	0.67		0.69		0.89



Time Period Begins	Carey Rd NORTH Approach				Carey Rd SOUTH Approach				WEST Approach				Ravine Way EAST Approach				Total Volume		Pedestrians	Crosswalks				Conflict	
	Left	Thru	Right	Total	Left	Thru	Right	Total	Left	Thru	Right	Total	Left	Thru	Right	Total	15-min	Hour		N	S	W	E	15 min	Hr
	n/a																								
n/a																									
n/a																									
n/a																									
n/a																									
n/a																									
n/a																									
n/a																									
n/a																									
n/a																									
n/a																									
n/a																									
n/a																									
n/a																									
n/a																									
n/a																									
n/a																									
n/a																									
n/a																									
n/a																									
n/a																									

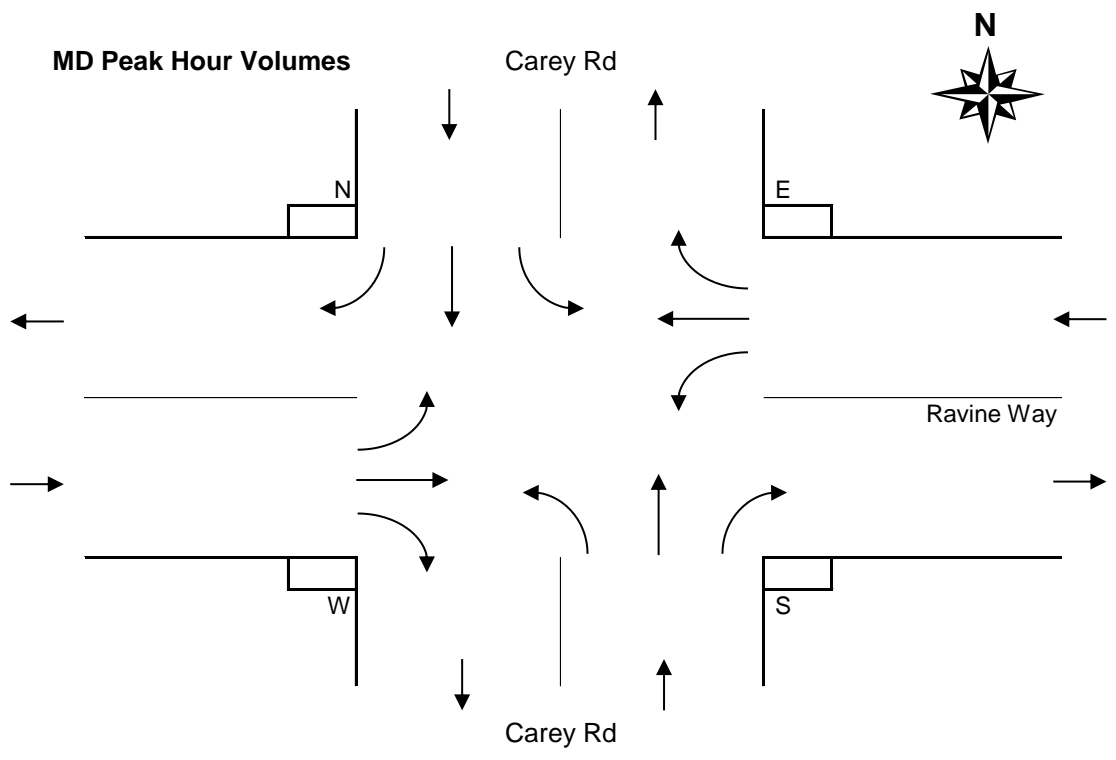
Total																									
Avg Hr																									

Peak hour of the intersection

Pk Hr																									
15x4																									
PHF																									

Peak hour of conflicting volumes for the intersection

Pk Hr																									
15x4																									
PHF																									



Time Period Begins	Carey Rd NORTH Approach				Carey Rd SOUTH Approach				WEST Approach				Ravine Way EAST Approach				Total Volume		Ped	Crosswalks				Conflict	
	Left	Thru	Right	Total	Left	Thru	Right	Total	Left	Thru	Right	Total	Left	Thru	Right	Total	15-min	Hour		N	S	W	E	15 min	Hr
15:30	64	31		95		87	52	139					24		101	125	359		0	13		8	304		
15:45	40	27		67		74	53	127					23		112	135	329		0	23		6	279		
16:00	55	35		90		88	69	157					31		118	149	396		0	21		5	330		
16:15	57	31		88		88	61	149					21		125	146	383	1467	0	21		3	331	1244	
16:30	54	46		100		105	63	168					18		130	148	416	1524	0	25		2	352	1292	
16:45	61	42		103		93	75	168					23		104	127	398	1593	0	32		12	333	1346	
17:00	59	32		91		67	73	140					28		130	158	389	1586	0	21		8	329	1345	
17:15	56	40		96		102	81	183					21		112	133	412	1615	0	21		4	351	1365	
17:30	52	37		89		99	54	153					15		108	123	365	1564	0	16		3	313	1326	
17:45	42	31		73		84	75	159					26		93	119	351	1517	0	17		5	294	1287	
18:00	42	34		76		57	53	110					19		52	71	257	1385	0	13		9	204	1162	
18:15	35	32		67		64	41	105					25		56	81	253	1226	0	10		4	196	1007	
n/a																									
n/a																									
n/a																									
n/a																									
n/a																									
n/a																									
n/a																									
n/a																									
n/a																									
n/a																									
n/a																									

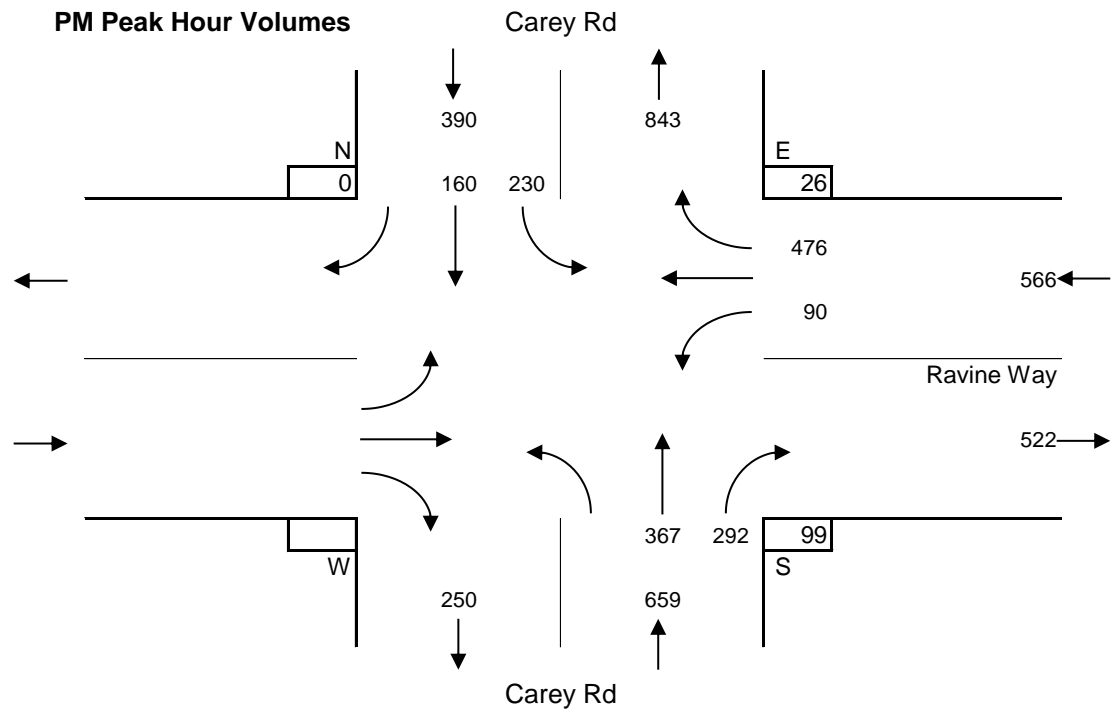
Total	617	418		1035		1008	750	1758					274		1241	1515	4308		0	233		69	3616
Avg Hr	206	139		345		336	250	586					91		414	505	1436		0	78		23	

Peak hour of the intersection

Pk Hr	230	160		390		367	292	659					90		476	566	1615	*	0	99		26	1365
15x4	244	184		412		420	324	732					112		520	632	1664	+	0	128		48	1508
PHF	0.94	0.87		0.95		0.87	0.90	0.90					0.80		0.92	0.90	0.97		n/a	0.77		0.54	0.91

Peak hour of conflicting volumes for the intersection

Pk Hr	230	160		390		367	292	659					90		476	566	1615	*	0	99		26	1365
15x4	244	184		412		420	324	732					112		520	632	1664	+	0	128		48	1508
PHF	0.94	0.87		0.95		0.87	0.90	0.90					0.80		0.92	0.90	0.97		n/a	0.77		0.54	0.91



Entire Survey Period

5 Hours

	Carey Rd				Carey Rd				WEST Approach				Ravine Way				Total Volume	Crosswalks			
	NORTH Approach				SOUTH Approach								EAST Approach					N S W E			
	Left	Thru	Right	Total	Left	Thru	Right	Total	Left	Thru	Right	Total	Left	Thru	Right	Total		N	S	W	E
Total	1236	851		2087		1221	933	2154					468		1513	1981	6222	0	374		96
Avg Hr	247	170		417		244	187	431					94		303	396	1244	0	75		19

AM Peak Period

2 Hours

	Carey Rd				Carey Rd				WEST Approach				Ravine Way				Total Volume	Crosswalks			
	NORTH Approach				SOUTH Approach								EAST Approach					N S W E			
	Left	Thru	Right	Total	Left	Thru	Right	Total	Left	Thru	Right	Total	Left	Thru	Right	Total		N	S	W	E
Totals	619	433		1052		213	183	396					194		272	466	1914	0	141		27
Avg Hr	310	217		526		107	92	198					97		136	233	957	0	71		14

MD Peak Period

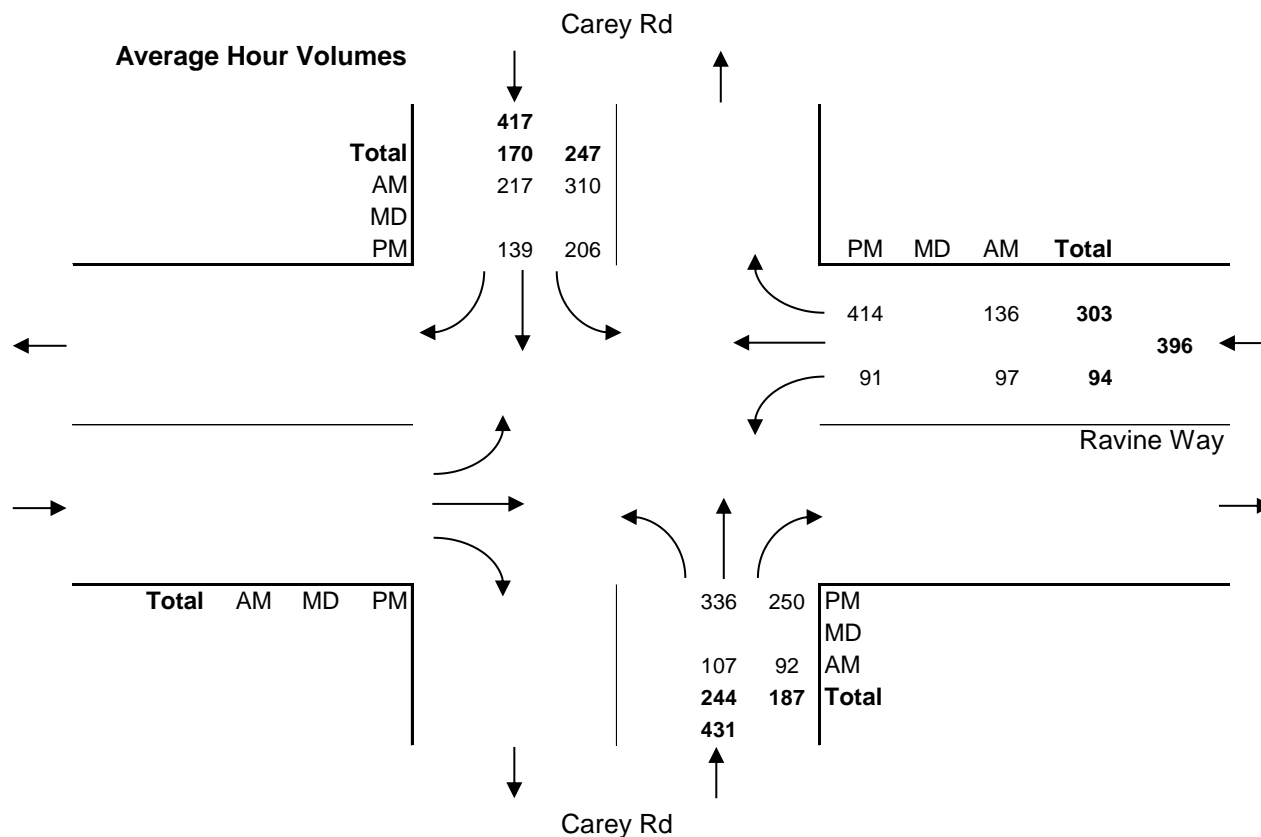
Hours

	Carey Rd				Carey Rd				WEST Approach				Ravine Way				Total Volume	Crosswalks			
	NORTH Approach				SOUTH Approach								EAST Approach					N S W E			
	Left	Thru	Right	Total	Left	Thru	Right	Total	Left	Thru	Right	Total	Left	Thru	Right	Total		N	S	W	E
Total																					
Avg Hr																					

PM Peak Period

3 Hours

	Carey Rd				Carey Rd				WEST Approach				Ravine Way				Total Volume	Crosswalks			
	NORTH Approach				SOUTH Approach								EAST Approach					N S W E			
	Left	Thru	Right	Total	Left	Thru	Right	Total	Left	Thru	Right	Total	Left	Thru	Right	Total		N	S	W	E
Totals	617	418		1035		1008	750	1758					274		1241	1515	4308	0	233		69
Avg Hr	206	139		345		336	250	586					91		414	505	1436	0	78		23



Major Route: Carey Road
Minor Route: Ravine Way
Municipality: Saanich
Filename: Carey Rd @ Ravine Way-Apr 2, 2019.xlsx
Location #: TIN001140
Count ID: 2019008
Date: April 2, 2019
Day-of-week: Tuesday

East/West Route: Ravine Way
Intersection Type: 4-leg
Signalized?: Yes
Weather: Overcast and dry

Vehicle Classifications: Vehicles and Peds
 Bikes

This data is for Bikes

Shift	Start	End	Duration
AM	7:30	9:30	2.00
MD			
PM	15:30	18:30	3.00
Total	7:30	18:30	5.00

Notes: 24-hour clock used for reporting (15-minute increments)
 North Approach - southbound vehicles approaching intersection from the north
 15x4 - 15 min volume (from maximum 15 minute period of movement/approach in peak hour period [*]) x 4
 Pedestrians - N indicates pedestrians crossing north approach (east/west)

Comments:

Survey Data
Bikes

Carey Road @ Ravine Way
Tuesday, April 2, 2019

Time Period Begins	Carey Rd NORTH Approach				Carey Rd SOUTH Approach				WEST Approach				Ravine Way EAST Approach				Total Volume		Preced				
	Left	Thru	Right	Total	Left	Thru	Right	Total	Left	Thru	Right	Total	Left	Thru	Right	Total	15-min	Hour		N	S	W	E
7:30	1	1	8	10	0	1	1	2	0	2	0	2	0	0	0	0	14	*	0	0	0	0	
7:45	0	0	10	10	0	0	0	0	4	4	0	8	0	0	0	0	18	*	0	0	0	0	
8:00	1	0	12	13	1	1	0	2	6	4	0	10	0	0	0	0	25	+	0	0	0	0	
8:15	1	1	5	7	0	2	0	2	1	4	0	5	0	1	0	1	15	72*	0	0	0	0	
8:30	0	0	7	7	0	0	0	0	3	2	1	6	0	0	1	1	14	72	0	0	0	0	
8:45	1	1	5	7	0	1	0	1	1	4	0	5	0	0	1	1	14	68	0	0	0	0	
9:00	0	0	2	2	0	1	1	2	0	3	0	3	0	0	0	0	7	50	0	0	0	0	
9:15	0	0	1	1	0	0	0	0	2	0	0	2	0	0	0	0	3	38	0	0	0	0	
n/a																							
n/a																							
n/a																							
n/a																							
n/a																							
n/a																							
n/a																							
n/a																							
n/a																							
n/a																							
n/a																							
n/a																							
n/a																							
n/a																							
n/a																							
Total	4	3	50	57	1	6	2	9	17	23	1	41	0	1	2	3	110			0	0	0	0

n/a																						
n/a																						
n/a																						
n/a																						
n/a																						
n/a																						
n/a																						
n/a																						
n/a																						
n/a																						
n/a																						
n/a																						
n/a																						
n/a																						
n/a																						
n/a																						
Total																						

15:30	0	0	0	0	0	2	0	2	1	1	1	3	0	1	1	2	7			0	0	0	0
15:45	0	0	0	0	0	1	0	1	1	0	0	1	0	2	0	2	4			0	0	0	0
16:00	1	1	4	6	0	0	0	0	1	2	1	4	0	2	0	2	12			0	0	0	0
16:15	1	0	2	3	1	1	0	2	2	5	0	7	0	2	0	2	14	37		0	0	0	0
16:30	0	0	4	4	1	2	0	3	5	5	1	11	0	2	0	2	20	50*		0	0	0	0
16:45	0	0	8	8	0	3	0	3	8	2	0	10	0	3	1	4	25	71+		0	0	0	0
17:00	0	0	5	5	1	1	1	3	6	6	0	12	0	4	0	4	24	83*		0	0	0	0
17:15	0	1	3	4	0	1	0	1	12	1	1	14	0	2	1	3	22	91*		0	0	0	0
17:30	0	0	2	2	3	1	0	4	4	1	0	5	0	1	0	1	12	83		0	0	0	0
17:45	0	0	4	4	3	0	0	3	1	4	0	5	0	3	0	3	15	73		0	0	0	0
18:00	0	1	0	1	0	2	1	3	1	0	0	1	0	1	0	1	6	55		0	0	0	0
18:15	0	0	0	0	3	0	0	3	2	2	0	4	0	1	2	3	10	43		0	0	0	0
n/a																							
n/a																							
n/a																							
n/a																							
n/a																							
n/a																							
n/a																							
n/a																							
n/a																							
n/a																							
Total	2	3	32	37	12	14	2	28	44	29	4	77	0	24	5	29	171			0	0	0	0

Time Period Begins	Carey Rd NORTH Approach				Carey Rd SOUTH Approach				WEST Approach				Ravine Way EAST Approach				Total Volume		Observed	Conflict				
	Left	Thru	Right	Total	Left	Thru	Right	Total	Left	Thru	Right	Total	Left	Thru	Right	Total	15-min	Hour		N	S	W	E	15 min
7:30	1	1	8	10	0	1	1	2	0	2	0	2	0	0	0	0	14	*	0	0	0	0	11	
7:45	0	0	10	10	0	0	0	0	4	4	0	8	0	0	0	0	18	*	0	0	0	0	14	
8:00	1	0	12	13	1	1	0	2	6	4	0	10	0	0	0	0	25	+	0	0	0	0	19	
8:15	1	1	5	7	0	2	0	2	1	4	0	5	0	1	0	1	15	72*	0	0	0	0	10	54
8:30	0	0	7	7	0	0	0	0	3	2	1	6	0	0	1	1	14	72	0	0	0	0	11	54
8:45	1	1	5	7	0	1	0	1	1	4	0	5	0	0	1	1	14	68	0	0	0	0	10	50
9:00	0	0	2	2	0	1	1	2	0	3	0	3	0	0	0	0	7	50	0	0	0	0	5	36
9:15	0	0	1	1	0	0	0	0	2	0	0	2	0	0	0	0	3	38	0	0	0	0	3	29
n/a																								
n/a																								
n/a																								
n/a																								
n/a																								
n/a																								
n/a																								
n/a																								
n/a																								
n/a																								
n/a																								
n/a																								

Total	4	3	50	57	1	6	2	9	17	23	1	41	0	1	2	3	110		0	0	0	0	78	
Avg Hr	2	2	25	29	1	3	1	5	9	12	1	21	0	1	1	2	55		0	0	0	0		

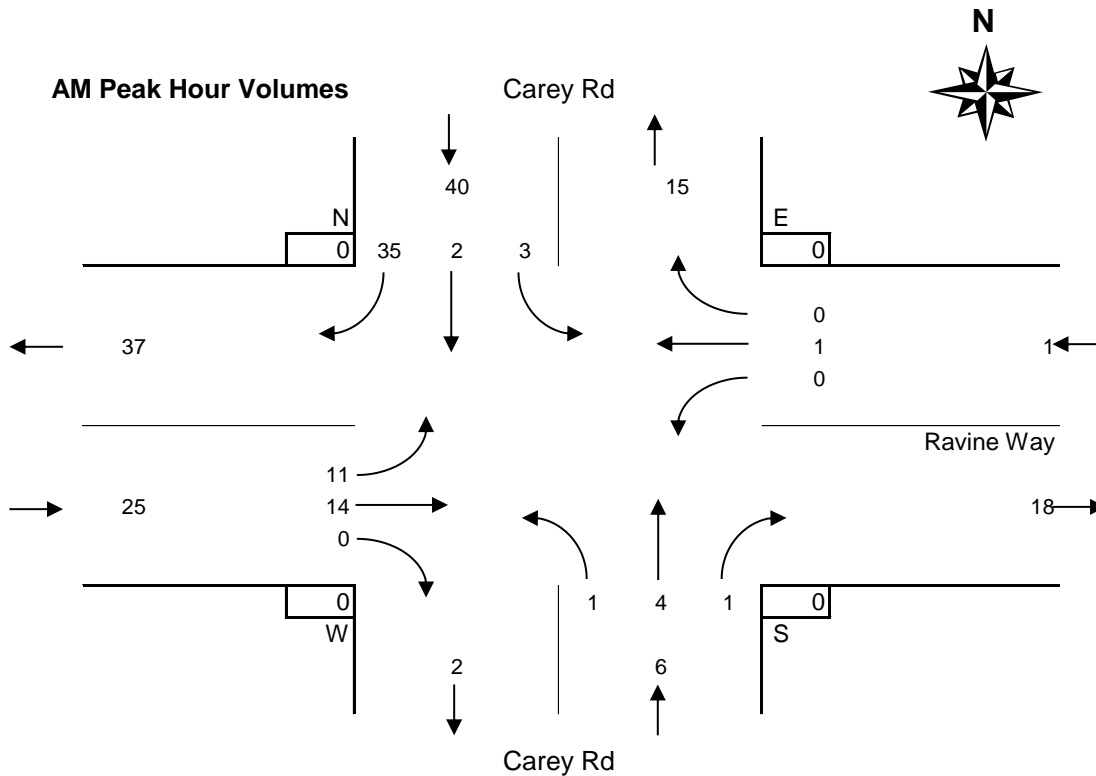
Peak hour of the intersection

Pk Hr	3	2	35	40	1	4	1	6	11	14	0	25	0	1	0	1	72*		0	0	0	0	52	
15x4	4	4	48	52	4	8	4	8	24	16	0	40	0	4	0	4	100*		0	0	0	0	84	
PHF	0.75	0.50	0.73	0.77	0.25	0.50	0.25	0.75	0.46	0.88	n/a	0.63	n/a	0.25	n/a	0.25	0.72		n/a	n/a	n/a	n/a	0.62	

Peak hour of conflicting volumes for the intersection

Pk Hr	3	2	35	40	1	4	1	6	11	14	0	25	0	1	0	1	72*		0	0	0	0	52	
15x4	4	4	48	52	4	8	4	8	24	16	0	40	0	4	0	4	100*		0	0	0	0	84	
PHF	0.75	0.50	0.73	0.77	0.25	0.50	0.25	0.75	0.46	0.88	n/a	0.63	n/a	0.25	n/a	0.25	0.72		n/a	n/a	n/a	n/a	0.62	

** Calculated peak hour occurs during the first or last hour of shift and therefore may be invalid. **



Time Period Begins	Carey Rd NORTH Approach				Carey Rd SOUTH Approach				WEST Approach				Ravine Way EAST Approach				Total Volume		PL	Conflict				
	Left	Thru	Right	Total	Left	Thru	Right	Total	Left	Thru	Right	Total	Left	Thru	Right	Total	15-min	Hour		N	S	W	E	15 min
n/a																								
n/a																								
n/a																								
n/a																								
n/a																								
n/a																								
n/a																								
n/a																								
n/a																								
n/a																								
n/a																								
n/a																								

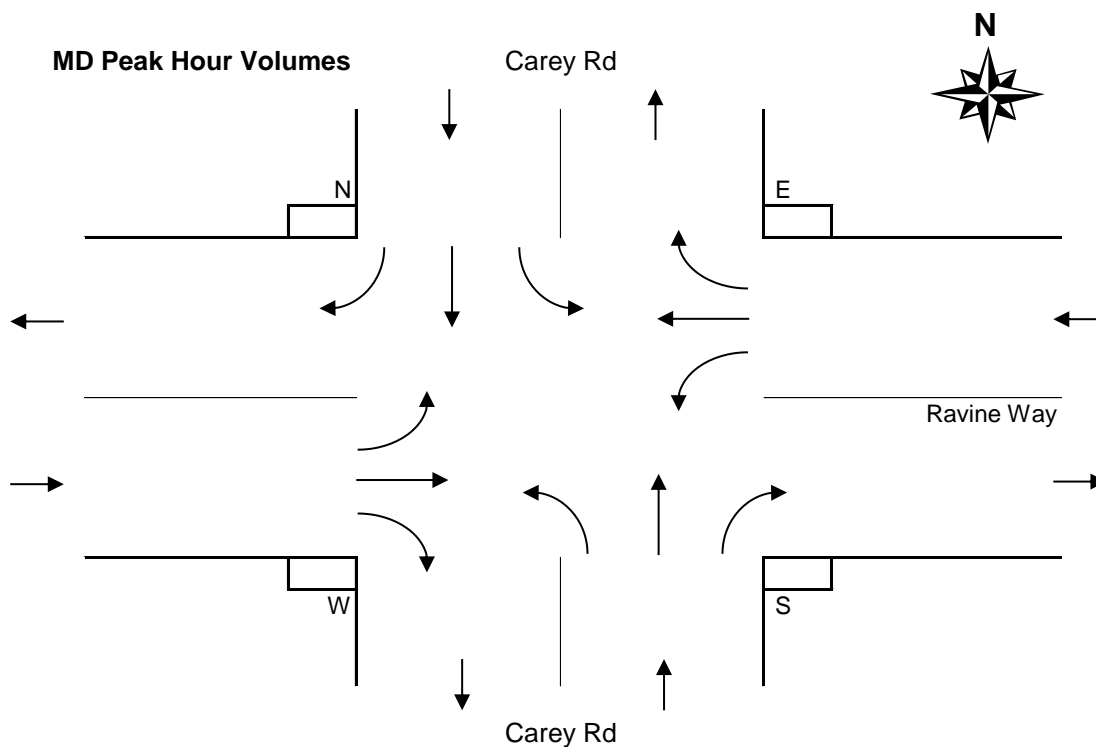
Total																								
Avg Hr																								

Peak hour of the intersection

Pk Hr																								
15x4																								
PHF																								

Peak hour of conflicting volumes for the intersection

Pk Hr																								
15x4																								
PHF																								



Time Period Begins	Carey Rd NORTH Approach				Carey Rd SOUTH Approach				WEST Approach				EAST Approach				Total Volume		Peak Period	Conflict				
	Left	Thru	Right	Total	Left	Thru	Right	Total	Left	Thru	Right	Total	Left	Thru	Right	Total	15-min	Hour		N	S	W	E	15 min
15:30	0	0	0	0	0	2	0	2	1	1	1	3	0	1	1	2	7		0	0	0	0	5	
15:45	0	0	0	0	0	1	0	1	1	0	0	1	0	2	0	2	4		0	0	0	0	4	
16:00	1	1	4	6	0	0	0	0	1	2	1	4	0	2	0	2	12		0	0	0	0	8	
16:15	1	0	2	3	1	1	0	2	2	5	0	7	0	2	0	2	14	37	0	0	0	0	8	25
16:30	0	0	4	4	1	2	0	3	5	5	1	11	0	2	0	2	20	50*	0	0	0	0	12	32
16:45	0	0	8	8	0	3	0	3	8	2	0	10	0	3	1	4	25	71+	0	0	0	0	20	48
17:00	0	0	5	5	1	1	1	3	6	6	0	12	0	4	0	4	24	83*	0	0	0	0	16	56
17:15	0	1	3	4	0	1	0	1	12	1	1	14	0	2	1	3	22	91*	0	0	0	0	19	67
17:30	0	0	2	2	3	1	0	4	4	1	0	5	0	1	0	1	12	83	0	0	0	0	10	65
17:45	0	0	4	4	3	0	0	3	1	4	0	5	0	3	0	3	15	73	0	0	0	0	11	56
18:00	0	1	0	1	0	2	1	3	1	0	0	1	0	1	0	1	6	55	0	0	0	0	5	45
18:15	0	0	0	0	3	0	0	3	2	2	0	4	0	1	2	3	10	43	0	0	0	0	8	34
n/a																								
n/a																								
n/a																								
n/a																								
n/a																								
n/a																								
n/a																								
n/a																								
n/a																								
n/a																								
n/a																								

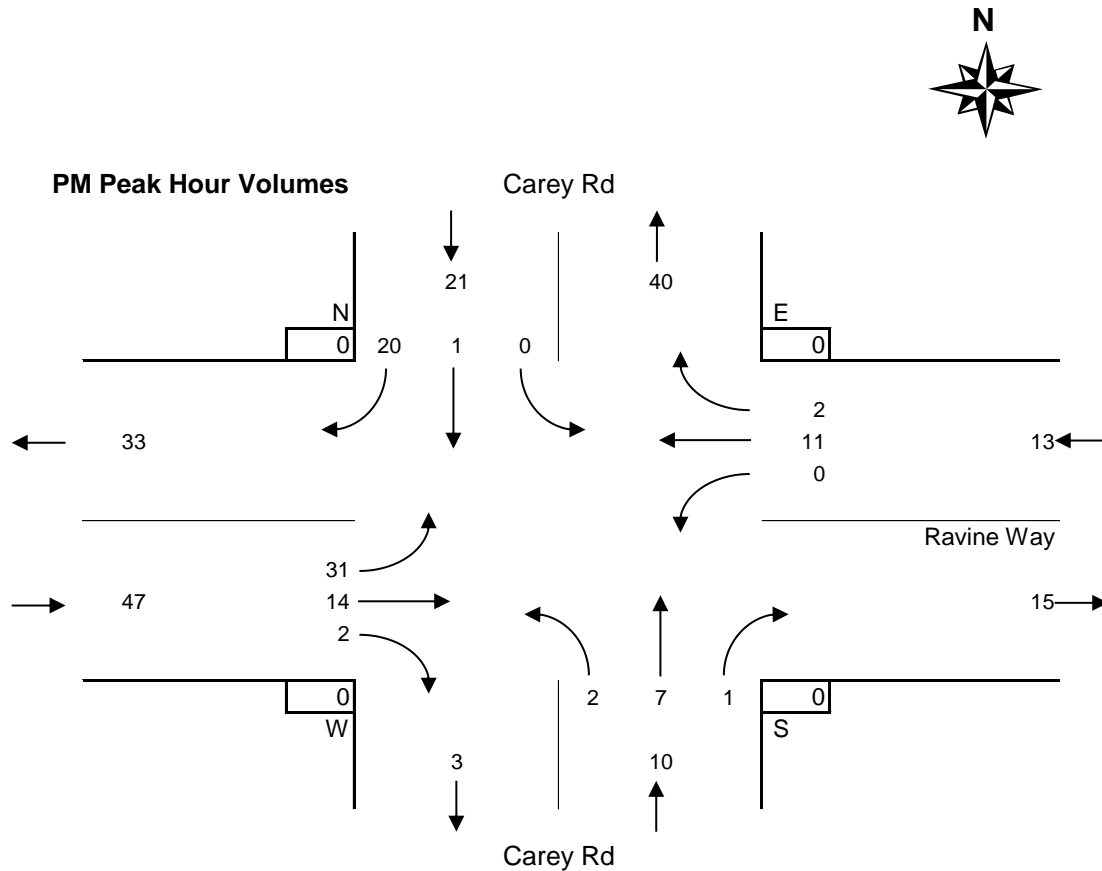
Total	2	3	32	37	12	14	2	28	44	29	4	77	0	24	5	29	171		0	0	0	0	120
Avg Hr	1	1	11	12	4	5	1	9	15	10	1	26	0	8	2	10	57		0	0	0	0	

Peak hour of the intersection

Pk Hr	0	1	20	21	2	7	1	10	31	14	2	47	0	11	2	13	91*		0	0	0	0	67
15x4	0	4	32	32	4	12	4	12	48	24	4	56	0	16	4	16	100+		0	0	0	0	108
PHF	n/a	0.25	0.63	0.66	0.50	0.58	0.25	0.83	0.65	0.58	0.50	0.84	n/a	0.69	0.50	0.81	0.91		n/a	n/a	n/a	n/a	0.62

Peak hour of conflicting volumes for the intersection

Pk Hr	0	1	20	21	2	7	1	10	31	14	2	47	0	11	2	13	91*		0	0	0	0	67
15x4	0	4	32	32	4	12	4	12	48	24	4	56	0	16	4	16	100+		0	0	0	0	108
PHF	n/a	0.25	0.63	0.66	0.50	0.58	0.25	0.83	0.65	0.58	0.50	0.84	n/a	0.69	0.50	0.81	0.91		n/a	n/a	n/a	n/a	0.62



Entire Survey Period

5 Hours

	Carey Rd				Carey Rd				WEST Approach				Ravine Way				Total Volume				
	NORTH Approach				SOUTH Approach								EAST Approach					N S W E			
	Left	Thru	Right	Total	Left	Thru	Right	Total	Left	Thru	Right	Total	Left	Thru	Right	Total					
Total	6	6	82	94	13	20	4	37	61	52	5	118	0	25	7	32	281	0	0	0	0
Avg Hr	1	1	16	19	3	4	1	7	12	10	1	24	0	5	1	6	56	0	0	0	0

AM Peak Period

2 Hours

	Carey Rd				Carey Rd				WEST Approach				Ravine Way				Total Volume				
	NORTH Approach				SOUTH Approach								EAST Approach					N S W E			
	Left	Thru	Right	Total	Left	Thru	Right	Total	Left	Thru	Right	Total	Left	Thru	Right	Total					
Totals	4	3	50	57	1	6	2	9	17	23	1	41	0	1	2	3	110	0	0	0	0
Avg Hr	2	2	25	29	1	3	1	5	9	12	1	21	0	1	1	2	55	0	0	0	0

MD Peak Period

Hours

	Carey Rd				Carey Rd				WEST Approach				Ravine Way				Total Volume				
	NORTH Approach				SOUTH Approach								EAST Approach					N S W E			
	Left	Thru	Right	Total	Left	Thru	Right	Total	Left	Thru	Right	Total	Left	Thru	Right	Total					
Total																					
Avg Hr																					

PM Peak Period

3 Hours

	Carey Rd				Carey Rd				WEST Approach				Ravine Way				Total Volume				
	NORTH Approach				SOUTH Approach								EAST Approach					N S W E			
	Left	Thru	Right	Total	Left	Thru	Right	Total	Left	Thru	Right	Total	Left	Thru	Right	Total					
Totals	2	3	32	37	12	14	2	28	44	29	4	77	0	24	5	29	171	0	0	0	0
Avg Hr	1	1	11	12	4	5	1	9	15	10	1	26	0	8	2	10	57	0	0	0	0

